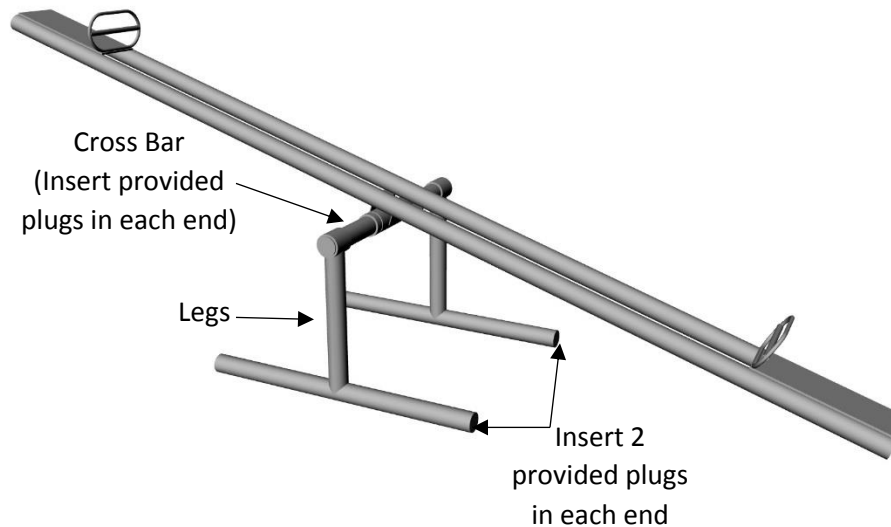




Installation Instructions

Freestanding

Teeter Totter Assembly



1. Slide the teeter totter pivot onto center of cross Bar
2. Slide spacers loosely against teeter totter pivot, insert and tighten set screws
3. Slide legs onto ends of cross bar, insert and tighten set screws.